

INDOOR DISCONNECTORS TYPE : TND

- ✓ INDOOR DISCONNECTORS
- ✓ INDOOR-EARTHING SWITCH
- ✓ SINGLE - or - 3-POLE FUSE BASE

INDOOR DISCONNECTORS TYPE : TND

Indoor, 3-Pole Isolating Switch

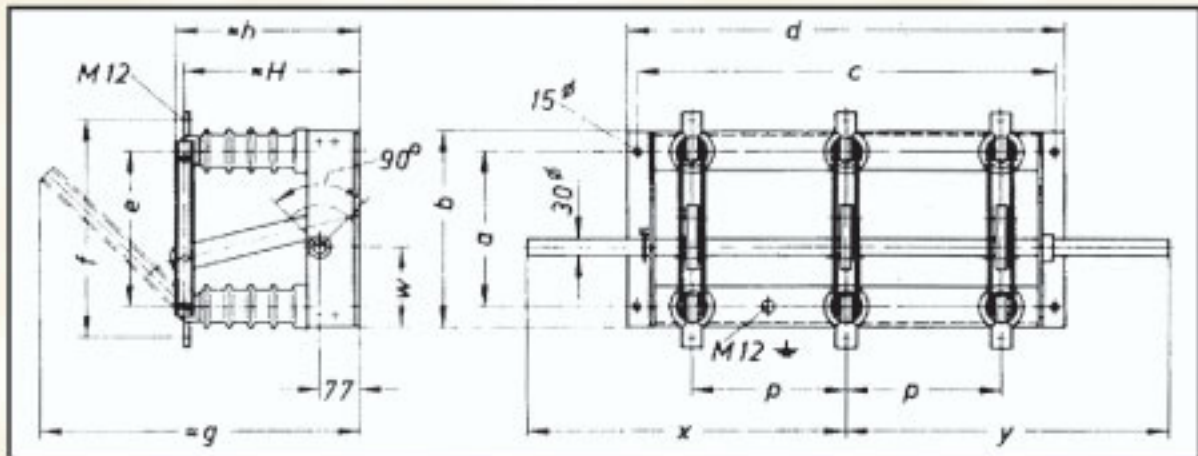
TS 565, DIN 43607

Voltage Class 12, 24 and 36 kV

Rated Currents 400, 630, 1250 and 1600 Amp.

The indoor isolating switches given in this list are for switching with no-current. They are produced under the technical knowledge of FRITZ DRIESCHER / Moosburg (Germany), and have positively proven themselves in many installations with their superior quality. They have a robust basic frame of welded profiled steel. The double knives are made of copper, plated nickel or silver. All contacts have rich sized cross sections, and appropriate contact pressures guarantee a safe and easy operation for a long period of years.

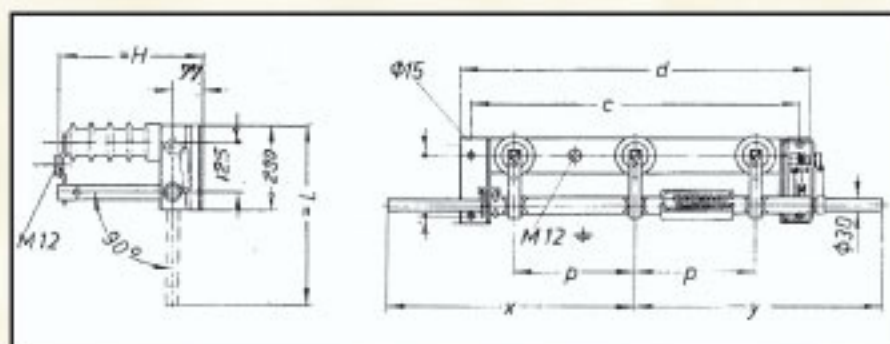
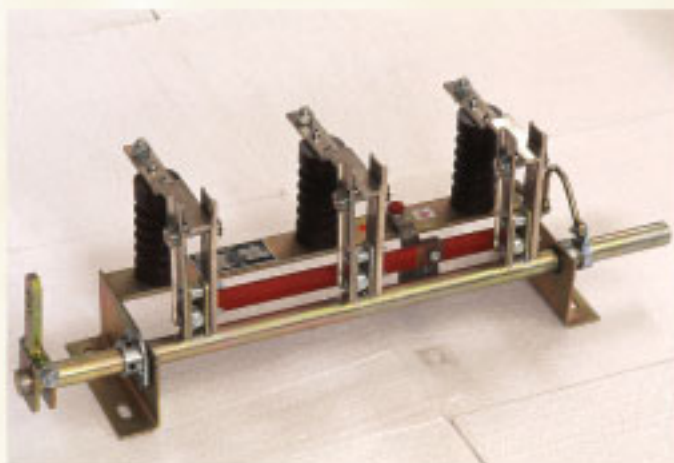
RATED VOLTAGE U_r		kV	12			24			36		
RATED CURRENT I_r		A	630	1250	1600	630	1250	1600	630	1250	1600
RATED PEAK WITHSTAND CURRENT I_p		kA	50	75	100	50	75	50	30	75	80
RATED SHORTTIME CURRENT I_k		kA	20	30	40	20	30	20	16	30	30
Rated impulse withstand voltage 1,2/50 c/s	CONDUCTOR to EARTH	kV	75			125			170		
	CONDUCTOR to CONDUCTOR	kV	75			125			170		
	EARTH	kV	85			145			195		
Rated withstand voltage at 50 c/s	CONDUCTOR to EARTH	kV	28			50			70		
	CONDUCTOR to CONDUCTOR	kV	28			50			70		
	EARTH	kV	32			60			80		



Class	lr	a	b	c	d	e	f	~g	~h	~H	h	w	x	y	Weight Kg.
12	400	280	310	600	640	250	360	454	275	250	210	115	425	425	23,5
	630						370								
17,5 24	400	350	380	710	750	300	410	594	325	300	275	155	550	550	33,5
	630						420								
36	400	450	500	1000	1040	400	510	833	375	345	400	195	800	800	58,0
	630						520								

3-POLE INDOOR-EARTHING SWITCH

Spring quick action Type: TDYC
Normal hand-action Type: TDY



Class kV	Rated Shorttime Current I_k (1 sec.) kA	Rated Peak withstand current I_p kA	c	d	H	L	P	X	y
12	25	63	600	640	600	322	210	425	425
	31,5	80				370			
17,5	16	40	710	750	160	400	275	550	550
	31,5								
24	16	63*	1000	1040	445	535	400	800	800
	35,5								
36	12,5	31,5	1000	1040	445	535	400	800	800
	25	63**							

Making capacity is valid only for the spring quick-action types.

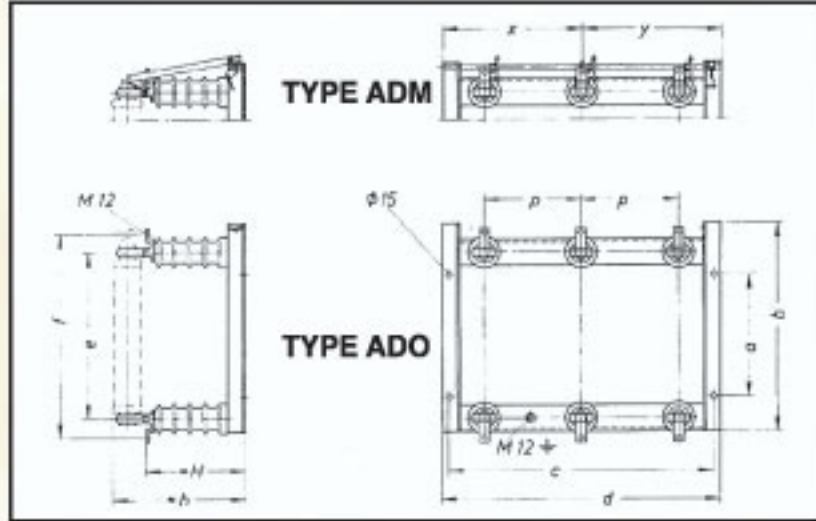
* The making capacity is limited by 40 kA.

** The making capacity is limited by 31.5 kA

The earthing switch can be quick-action if desired.

Making and breaking is realized by a spring action.

SINGLE - or - 3-POLE FUSE BASE



They are designed for use with m.v. Fuses in compliance with the standards DIN 43625, TS 1259- IEC 60282-1

Rated current of the contact system is 200 Amp.

Without Breaking Mechanism

Type ADO : Suitable for m.v. Fuses with optical indicator

With Breaking Mechanism

Type ADM.. : Suitable for m.v. Fuses with Striker Pin. It gives the advantages of getting an impulse for an alarm system / or for a shunt release, by means of a switch (4-12 poles)

Class KV	In	a	b	c	d	e	f	~H	~h	p	x	y	Weight Appr. Kg.	
													ADO	ADM
12	200	280	480	600	640	325	445	235	320	210	320	320	15,5	17,9
17,5 24	200	350	650	710	750	475	505	300	385	275	380	380	26	29
								335	420					
36	200	450	760	1000	1040	570	690	425	510	400	520	520	40,0	43,7

INTER-TEKNİK
ELEKTRİK TURİZM TİCARET ve SAN. LTD. ŞTİ.

HEAD OFFICE / MERKEZ OFİS

Rahim Cad. Fatih İş Hanı 131/10 Karaköy - İSTANBUL - TR Phone: [0212] 244 32 49 - 249 84 58 Fax: [0212] 251 61 45

FACTORY / FABRİKA

Y.Dudullu/Ümraniye/ İSTANBUL - TR Phone / Fax : [0216] 313 55 60

www.inter-teknik.com



MAY 2006